

## SINGLE / THREE PHASE LOADS

Resistive - Inductive - Capacitive

3KVA - Variable with 7 step

3KVA - Variable with 10 step

Mod.6020-R  
Mod.6020-L  
Mod.6020-C

Mod.6020-10R  
Mod.6020-10L  
Mod.6020-10C

**Resistive, Inductive,  
Capacitive Loads 3000VA.**

**Variable with 7 or 10 uniform steps.**

Provided with silk screened front panel and with 4mm CE safety sockets.

Robust metallic base with rubber feet.

For R models the evacuation of heat is obtained thanks to an electric fan.

Single-phase :

up to **240V 50/60Hz**

Three-phase:

up to **240/415V (D/Y) 50Hz**

Other power available:

from **0,3 (Mod.3020) up to**

**20kVA (Mod.20020)**

Dimensions

-TTop

LxWxH: 70x40x40h cm.

-Wheeled

up to 12 kVA

- LxWxH: 60x45x80h cm

from 13 kVA

- L xWxH: 120x60x80h cm

English operation manual

French operation manual

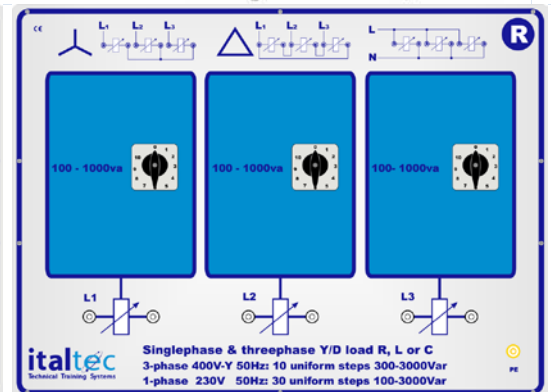
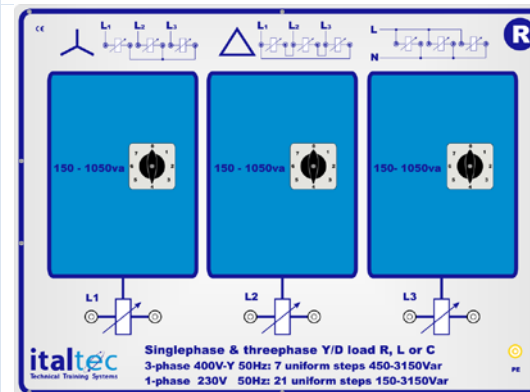


**MOD.6020-R** Resistive Load module, variable with 7 step  
**MOD.6020-L** Inductive Load module, variable with 7 step  
**MOD.6020-C** Capacitive Load module, variable with 7 step

For balanced or unbalanced 3-phase loads (star and delta) and single-phase loads. Each phase can be independently varied with 7 uniform steps up to max current value for full power. Single-phase connection provides 21 regulation steps.

**MOD.6020-10R** Resistive Load module, variable with 10 step  
**MOD.6020-10L** Inductive Load module, variable with 10 step  
**MOD.6020-10C** Capacitive Load module, variable with 10 step

For balanced or unbalanced 3-phase loads (star and delta) and single-phase loads. Each phase can be independently changed in 10 uniform steps up to max current value of full load. Single-phase connection provides 30 regulation steps.



Regulation step (3-phase)

**MOD.6020-RLC**

**MOD.6020-10RLC**

Step	VA	Amp.	Perc.	Step	VA	Amp.	Perc.
1	450	0,65	15%	1	300	0,43	10%
2	900	1,30	30%	2	600	0,87	20%
3	1350	1,96	45%	3	900	1,30	30%
4	1800	2,61	60%	4	1200	1,74	40%
5	2250	3,26	75%	5	1500	2,17	50%
6	2700	3,91	90%	6	1800	2,61	60%
7	3150	4,57	105%	7	2100	3,04	70%
				8	2400	3,48	80%
				9	2700	3,91	90%
				10	3000	4,35	100%

Power variation (230V):

**Mod.6020-RLC**

**1phase: 5% ÷ 105% - 150÷3150VA**

**3phase: 15% ÷ 105% - 450÷3150VA**

Power variation (230V):

**Mod.6020-10RLC**

**1phase: 3,3% ÷ 100% - 100÷3000VA**

**3phase: 10% ÷ 100% - 300÷3000VA**

Robust sheet metal steel painted in the oven, mounted on four robust swivel wheels for easy movement.