



## Italtec srl - Technical Training Systems

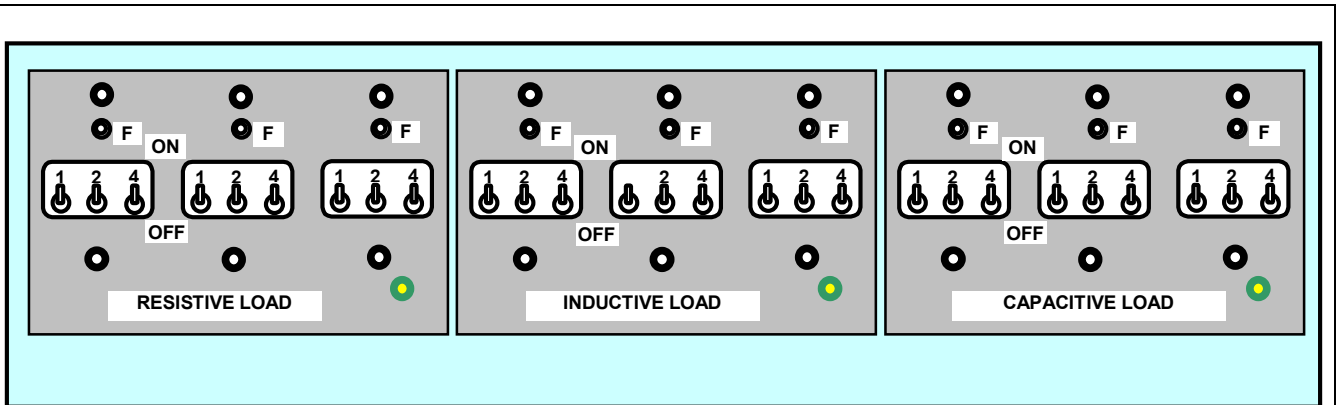
Via privata Liguria 3

20090 FIZZONASCO - MILANO - ITALY

Tel +39 02 90 721 606 Fax +39 02 90 720 227

e-mail [italtec@italtec.it](mailto:italtec@italtec.it) <http://www.italtec.it>

Our quality system is certified by DNV since 1997



**The 6020 RLC is composed of three independent sections  
Each phase of each section is variable independently**



### R-L-C LOAD 6020

**The 6030-RLC is a Resistive, Inductive and Capacitive load of 2,5kW  
Three phase connection 220/380V delta/star**

The variation of the load's power is obtained by means of 3 switches per each phase.

It is possible to realise seven different resistance values (for each section)

It is possible to realise unbalanced loads because the three phases are independently variable.

#### Single-phase connection 220V

In case of single-phase connection it is possible to obtain 21 different values connecting in parallel the three section.

#### The load is cooled by means of an electric fan operated at 220V

Assembled in a very strong metallic box, oven painted with epoxy dual component powder paint

Dim. 100 x 35 x35 cm;

Weight: 55 kg: